

## SAILING INSTRUCTIONS

### GENERAL INFORMATION

The Organizing Authority (OA) is California Yacht Club (CYC), located at 4469 Admiralty Way, Marina del Rey, CA 90292

Phone: 310.823.4567 | Web: [www.calyachtclub.com](http://www.calyachtclub.com)

Event Chairs: Debbie Feinerman at [dsfeinerman@gmail.com](mailto:dsfeinerman@gmail.com) | Rory Mach at [rorymach@gmail.com](mailto:rorymach@gmail.com)

---

#### 1. CHANGES TO SAILING INSTRUCTIONS

Any change to the Sailing Instructions (SIs) will be posted before 1000 on the day it will take effect, except that any change to the schedule of races will be posted by 2000 on the day before it will take effect.

#### 2. COMMUNICATIONS WITH COMPETITORS

2.1 Notices to competitors will be posted on the [Official Notice Board](#) located on the [California Cup Regatta](#) webpage. Notices may also be posted on the patio windows of the Gallery Room located on the southeast side of the lower level of the CYC clubhouse.

2.2 On the water, the Race Committee (RC) intends to monitor and communicate with competitors on VHF radio channel 69. Failure of the RC to broadcast, mistaken broadcasts, or failure of a competitor to receive this information will not be grounds for a request for redress. This change is added to RRS 62.1(a).

#### 3. SIGNALS MADE ASHORE

3.1 Signals made ashore will be displayed on the flagpole located on the CYC front lawn.

3.2 When flag AP is displayed ashore, "1 minute" is replaced with "not less than sixty (60) minutes" in RRS Race Signals AP.

#### 4. SCHEDULE OF RACES

4.1 Eight (8) races are scheduled: three (3) on Friday, three (3) on Saturday and two (2) on Sunday. The RC, at its discretion, may run fewer races.

4.2 The scheduled time of the first warning signal each day is 1230. Subsequent races will start as soon as practicable.

4.3 The RC may display flag A (with no sound) while boats are finishing to signal that there will be no more races conducted that day.

4.4 There will be no warning signal for a race after 1600 on Sunday.

#### 5. CLASS FLAG

The class flag is a blue J/70 logo on a white background.

#### 6. RACING AREA

The racing area is on Santa Monica Bay with the starting area approximately one and one-half (1.5) nautical miles northwest of the Marina del Rey breakwater.

#### 7. MARKS

Marks are described in SI Addendum A.

#### 8. COURSES

Courses are described in SI Addendum A.

#### 9. THE START

9.1 To alert boats that a race will begin soon, multiple sound signals may be made approximately one (1) minute before the warning signal.

9.2 The starting line is between staffs displaying orange and white checkered flags on the RC line boat and the RC signal boat. (See SI Addendum A)

9.3 If any part of a boat's hull is on the course side of the starting line at her starting signal and she is identified, the RC will attempt to hail her bow or sail number as provided in SI 2.2. Failure to hail her number, failure of her to hear such a hail, or the order in which boats are hailed will not be grounds for a request for redress. This change is added to RRS 62.1(a).

9.4 A boat that does not start within five (5) minutes after her starting signal shall be scored Did Not Start (DNS) without a hearing. This change is added to RRS A5.1.

#### 10. CHANGING THE NEXT LEG OF THE COURSE

To change the next leg of the course, the RC will lay a new mark (or move the finishing line) and remove the original mark as soon as practicable. When in a subsequent change a new mark is replaced, it will be replaced with the original mark.

#### 11. THE FINISH

The finishing line is between staffs displaying orange and white checkered flags on the RC line boat and the RC signal boat. (See SI Addendum A).

## 12. PENALTY SYSTEM

- 12.1 US Sailing Prescription Appendix V, Section V1, Penalty at the Time of an Incident, applies.
- 12.2 Penalties incurred while in the zone of the windward mark or on the offset leg shall be delayed and taken at the first reasonable opportunity on the downwind leg. This change is added to RRS 44.2.

## 13. HEARING REQUESTS

- 13.1 The protest time limit each day is forty-five (45) minutes after the RC signal boat docks on that day. This time will be posted on the [Official Notice Board](#) within fifteen (15) minutes after the RC signal boat docks.
- 13.2 RRS 62.2, Redress is modified as follows:
  - (a) The second sentence of RRS 62.2 is replaced with: "If the request is based on an incident in the racing area, it shall be filed within the protest time limit for that day."
  - (b) A notice of boats scored per RRS A5.1 each day will be posted under Notice Board Posts on the [Official Notice Board](#) no later than fifteen (15) minutes after the RC signal boat docks on that day. The deadline for a request for redress based on these scores is the protest time limit for that day.
- 13.3 Hearing request forms are available at the **File a Protest Online** link at the [Owner's Corner](#) on the [California Cup Regatta](#) webpage.
- 13.4 Notices will be posted no later than fifteen (15) minutes after the protest time limit each day on the [Official Notice Board](#) to inform competitors of hearings in which they are parties. Hearings will be heard as soon as possible in the Gallery Room on the lower level of the CYC clubhouse.
- 13.5 US Sailing Prescriptions to RRS 63.1 and 63.2 do not apply.

## 14. SCORING

Preliminary results will be posted on the [Results](#) webpage as soon as possible after racing each day. Competitors shall notify the RC of any scoring errors using the **Online Scoring Inquiry Filing** link on the [California Cup Regatta](#) webpage. The deadline to file a scoring inquiry is the protest time limit or thirty (30) minutes after the preliminary results have been posted for that day, whichever is later.

## 15. [DP] SAFETY REGULATIONS

A boat that retires from a race prior to finishing or does not intend to start a scheduled race shall notify the RC either before leaving the racing area or as soon as possible after arriving ashore.

## 16. [DP] SUPPORT TEAMS

- 16.1 Only registered Support Person Vessels (SPVs) that prominently display identification provided by the OA will be allowed in the racing area. (See [NoR 11.2 and 11.3](#))
- 16.2 All SPVs shall carry and monitor a VHF radio capable of communicating on VHF channel 69.
- 16.3 SPVs shall not enter the racing area from the preparatory signal of a race until the finish of the last boat in that race. However, SPVs may enter the racing area at the direction of the RC to assist a competitor or after a general recall, abandonment or postponement until a new preparatory signal has been made. The racing area shall be as indicated on SI Addendum A and include any other area within one hundred (100) meters of any boat still racing.
- 16.4 SPVs shall neither create wakes nor otherwise interfere with competitors.
- 16.5 SPVs and spectator boats shall not be launched or recovered at CYC while competitors are launching or recovering their boats and must check in with the CYC Dockmaster, [Curtis Wagner](#) (310.823.4567) prior to using the hoist. Alternately, boats may use the public ramp at Dock 52 on Fiji Way and keep the trailers at CYC. This changes [NoR 11.1](#).

## 17. BOW NUMBERS

[DP] Bow numbers will be issued by the OA and shall be affixed so that the leading edge of the number is no more than 216 mm (8.5") from the leading edge of the bow and the top edge of the number(s) is within 127mm (5") of the sheerline. See SI Addendum B for details.

## 18. BERTHING

[DP] Boats shall be kept in their assigned places as directed by the OA when afloat or ashore.

## 19. LAUNCHING / HAUL-OUT RESTRICTIONS

[DP] All boats shall be afloat, shall not be hauled out, and shall not remove their rudders from 2000 on Thursday, June 24 until the end of the event except with and according to the terms of prior written permission of the RC.

## 20. RISK STATEMENT

Competitors participate in the event entirely at their own risk. See RRS 3, Decision to Race. By participating in the event, each competitor agrees to release the race organizers (organizing authority, host yacht club, race committee, protest committee, sponsors, and any others acting in an official capacity for the event) from any and all liability associated with such competitor's participation in the event to the fullest extent permitted by law.



# California Cup Regatta

Friday thru Sunday, June 25-27, 2021  
Marina del Rey, California USA



## SI ADDENDUM A

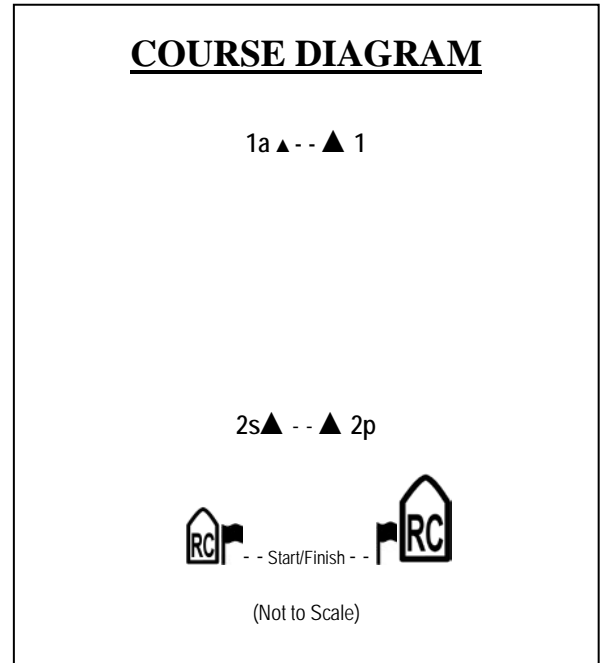
### SI 7. MARKS (continued)

- 7.1 Mark 1a (offset mark) is a small yellow tetrahedron with a contrasting colored top.
- 7.2 Marks 1 and 2s/2p are yellow tetrahedrons.
- 7.3 New marks, as provided in SI 10, are orange tetrahedrons.

### SI 8. COURSES (continued)

- 8.1 Marks 1 and 1a shall be rounded to port.
- 8.2 The angle between the leg from the starting line to Mark 1 and the leg from Mark 1 to Mark 1a is approximately 90°.
- 8.3 Mark 2s/2p is a gate. In the event only one gate mark is on station, that mark shall be rounded to port.
- 8.4 The starting/finishing line is approximately 0.1 nautical mile to leeward of Mark 2s/2p.
- 8.5 No later than the warning signal for each race, the RC signal boat will use numeral placards to display the approximate magnetic bearing and distance from Mark 2s/2p to the first weather mark.
- 8.6 No later than the warning signal for each race, the RC signal boat will use numeral pennants to signal one of the courses shown below:

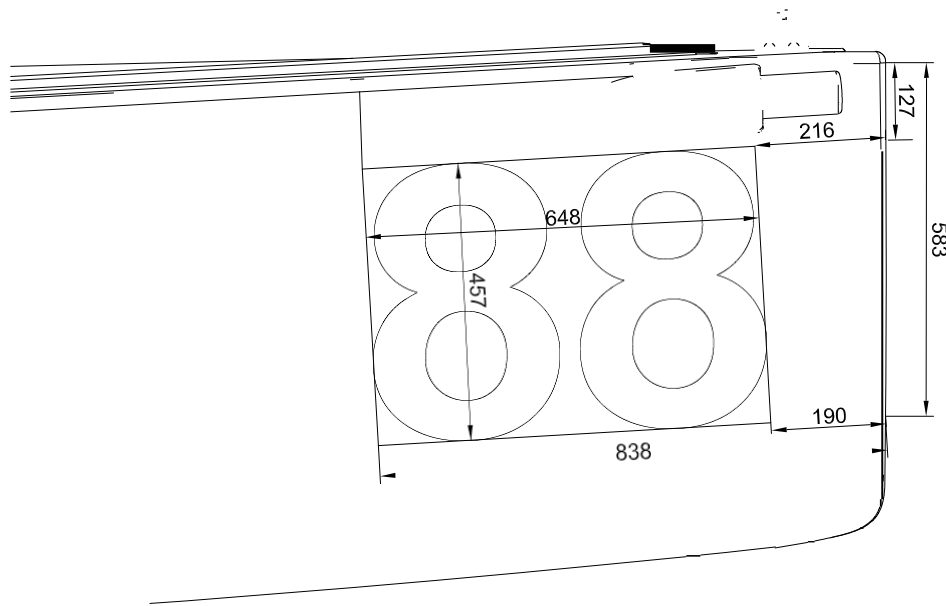
Numeral Pennant	Courses
2	Start – 1 – 1a – 2s/2p – 1 – 1a – Finish
3	Start – 1 – 1a – 2s/2p – 1 – 1a – 2s/2p – 1 – 1a – Finish



## SI ADDENDUM B

### BOW NUMBER POSITIONING

Large number: 18" height



J/70 Class Bow Number Location & Size #2  
(Dimensions in millimeters)