



J/70 Pre-World Championship

Saturday & Sunday, July 31 – August 1, 2021

Marina del Rey, California USA



SAILING INSTRUCTIONS

GENERAL INFORMATION

The Organizing Authority (OA) is Del Rey Yacht Club (DRYC)

DRYC is located at 13900 Palawan Way, Marina del Rey, CA 90292 | Phone: 310.823.4664 | Web: www.dryc.org

Event Chair: Rick Ruskin | Phone: 310-990-6326 | email rickeruskin@outlook.com

The notation '[NP]' in a rule of the Sailing Instructions (SIs) means that a boat may not protest another boat for breaking that rule. This changes RRS 60.1(a).

1. CHANGES TO SAILING INSTRUCTIONS

Any change to the SIs will be posted before 1000 on the day it will take effect, except that any change to the schedule of races will be posted by 2000 on the day before it will take effect.

2. COMMUNICATION

2.1 Notices to competitors will be posted on the [Official Notice Board](#) located on the [J/70 Pre-World Championship](#) webpage. Notices may also be posted on the DRYC notice board inside the DRYC clubhouse

2.2 Any questions regarding the SIs shall be submitted in writing to the Race Committee (RC). The questions and any answers will be posted as in SI 2.1.

2.3 On the water, the RC intends to monitor and communicate with competitors on VHF radio channel 68. Failure of the RC to broadcast, mistaken broadcasts, or failure of a competitor to receive this information will not be grounds for a request for redress. This changes RRS 60.1(b).

2.4 [NP] [DP] Except as provided in SI 2.5, a boat shall not make voice or data transmissions while racing and shall not receive voice or data communication that is not available to all boats.

2.5 [NP] [DP] Boats shall use the radio to report retirement from racing and may use the radio to request or provide assistance in an emergency.

3. SIGNALS MADE ASHORE

3.1 Signals made ashore will be displayed on the flagpole located on the water side of the DRYC clubhouse.

3.2 When flag AP is displayed ashore, "1 minute" is replaced with "not less than sixty (60) minutes" in The Racing Rules of Sailing (RRS) Race Signal AP.

4. SCHEDULE AND FORMAT OF RACES

4.1 Six (6) races are scheduled, three (3) on Saturday and three (3) on Sunday. The RC, at its discretion, may run fewer total races.

4.2 The scheduled time of the first warning signal each day is 1230. Subsequent races will start as soon as practicable.

4.3 On Sunday, August 1, no warning signal will be made after 1530 local time. In the case of one or more general recall(s) when the initial warning signal was made prior to 1530, the RC may display subsequent warning signals after that time. This exception will not apply for a race that is postponed or abandoned.

4.4 All boats shall sail as one fleet.

5. CLASS FLAG

The class flag is a blue J/70 logo on a white background.

6. RACING AREA

The racing area is on Santa Monica Bay with the starting area approximately one and one-half (1.5) nautical miles northwest of the Marina del Rey breakwater as shown on SI Addendum A.

7. MARKS

7.1 Mark 1a (offset) is a small yellow tetrahedron with a red top.

7.2 Marks 1 and 2s/2p are orange tetrahedrons.

7.3 New marks, as provided in SI 10, are yellow tetrahedrons.

8. COURSES

8.1 The course to be sailed will be a windward-leeward format. The diagrams in Addendum B show the course, including the order in which marks are to be passed, and the side on which each mark is to be left.

8.2 No later than the warning signal for each race, the RC signal vessel will use numeral placards to display the approximate magnetic bearing and distance from Mark 2s/2p to the first weather mark.

9. THE START

- 9.1 The starting line will consist of either two or three RC vessels. The RC will announce the line type prior to the warning signal for a race.
- 9.2 Three-Vessel Starting Line:
- (a) The starting line consists of two line segments:
 - i. one is between staffs displaying orange and white checkered flags on the mid-line RC signal vessel and the port-end RC line vessel;
 - ii. the other is between staffs displaying orange and white checkered flags on the mid-line RC signal vessel and the starboard-end RC line vessel.
 - (b) SI 9.2 (a) i & ii change RRS Race Signal Orange.
 - (c) Sound and visual signals will be made only by the mid-line RC signal vessel.
- 9.3 Two-Vessel Starting Line:
- (a) The starting line is between staffs displaying orange and white checkered flags on the starboard-end RC signal vessel and the port-end RC line vessel. This changes RRS Race Signal Orange.
 - (b) Sound and visual signals will be made only by the starboard-end RC signal vessel.
- 9.4 To alert boats that a race will begin soon, orange and white checkered starting line flags will be displayed with one long sound signal on the RC vessels marking the line for a minimum of 5 minutes before the warning signal is displayed.
- 9.5 If any boat is subject to RRS 29.1 (Individual Recall), 30.3 (U Flag Rule) or 30.4 (Black Flag Rule) and she is identified, the RC will attempt to broadcast her bow or sail number as provided in SI 2.3. The RC will attempt to broadcast twice the boats that are OCS; it will not alter this list based on a boat's actions subsequent to the start.
- 9.6 The third sentence of RRS 30.4 (Black Flag Rule) is changed such that "sail number" is replaced by "bow or sail number."
- 9.7 A boat that does not start within five (5) minutes after her starting signal will be scored Did Not Start (DNS) without a hearing. This change is added to RRS A5.1.

10. CHANGING THE NEXT LEG OF THE COURSE

To change the next leg of the course, the RC will lay a new mark (or move the finishing line) and remove the original mark as soon as practicable. When in a subsequent change a new mark is replaced, it will be replaced with the original mark.

11. THE FINISH

The finishing line is between staffs displaying orange and white checkered flags on two RC vessels. This changes RRS Race Signal Blue. (See SI Addendum B)

12. PENALTY SYSTEM

- 12.1 RRS US Sailing Prescription Appendix V (Alternative Penalties), Section V1, Penalty at the Time of an Incident applies: "The first two sentences of rule 44.1 are changed to: 'A boat may take a One-Turn Penalty when she may have broken one or more rules of Part 2 or rule 31 in an incident while racing. However, when she may have broken one or more rules of Part 2 while in the zone around a mark other than a starting mark, her penalty shall be a Two-Turns Penalty.'"
- 12.2 Penalties incurred while in the zone of the windward mark or on the offset leg shall be delayed and taken at the first reasonable opportunity on the downwind leg. This change is added to RRS 44.2.

13. HEARING REQUESTS

- 13.1 The protest time limit each day is sixty (60) minutes after the RC signal vessel docks on that day. This time will be posted on the [Official Notice Board](#) and at the jury desk within fifteen (15) minutes after the RC signal vessel docks.
- 13.2 RRS 62.2, Redress is modified as follows:
- (a) The second sentence of RRS 62.2 is replaced with: "If the request is based on an incident in the racing area, it shall be filed within the protest time limit for that day."
 - (b) A notice of boats scored per RRS A5.1 each day will be posted under Notice Board Posts on the [Official Notice Board](#) and at the jury desk no later than fifteen (15) minutes after the RC signal vessel docks on that day. The deadline for a request for redress based on these scores is the protest time limit for that day.
 - (c) The time limit for a request for redress based on a scoring inquiry is 30 minutes after the results of the scoring inquiry have been posted.
- 13.3 Breaches of NoR 12 (Berthing), NoR 13 (Haul-out Restrictions) and NoR 14 (Radio Communication) will not be grounds for a protest by a boat. This change is added to RRS 60.1(a).
- 13.4 Hearing request forms are available at the **File a Protest Online** link at the [Owner's Corner](#) on the [J 70 Pre-World Championship](#) webpage where they can be electronically filed. They are also available and can be filed at the jury desk.
- 13.5 Notices will be posted no later than fifteen (15) minutes after the protest time limit each day on the [Official Notice Board](#) and at the jury desk to inform competitors of hearings in which they are parties or named as witnesses. Hearings will be heard as soon as possible.
- 13.6 The jury desk is DRYC's clubhouse entry desk. The protest room is located in DRYC's Library.

14. SCORING

- 14.1 One (1) race is required to be completed to constitute a series.
- 14.2 When four (4) or fewer races have been completed, a boat's series score is the total of her race scores. When five (5) or more races have been completed, a boat's series score is the total of her race scores excluding her worst score.
- 14.3 Preliminary results will be posted on the [Results](#) webpage as soon as possible after racing each day. Competitors shall notify the RC of any scoring errors using the **Online Scoring Inquiry Filing** link on the [J 70 Pre-World Championship](#) webpage or by filing a Scoring Inquiry Form available at the jury desk. The deadline to file a scoring inquiry is the protest time limit or thirty (30) minutes after the preliminary results have been posted for that day, whichever is later.

15. SAFETY REGULATIONS

- 15.1 Prior to the warning signal of her first race each day, each boat shall check-in with, and be recognized by, the RC vessel displaying code flags L over A located to leeward of the RC mid-line signal vessel in the starting area. In the case of a "Two-Vessel Starting Line," this RC vessel will be located at the starboard end of the line. Each boat shall pass close astern on starboard tack and hail her bow number. When a boat has been recognized, the RC will hail the boat's bow number.
- 15.2 A boat that retires from a race or leaves the racing area between races shall notify the RC as soon as possible as provided in SI 2.3.
- 15.3 A boat not leaving the harbor for any of the day's racing shall inform the RC as soon as possible.
- 15.4 The penalty for breaking a rule in SI 16 shall be a 20% scoring penalty unless the jury decides differently, applied without a hearing to a boat's first valid race of the day. This change is added to RRS A5.1.

16. [DP] BOW NUMBERS

- 16.1 Bow numbers will be supplied and applied by the OA in accordance with the [IJ/70CA Equipment Regulations](#) (J70ER) 6 and J70ER Appendix A. (See also SI Addendum D)
- 16.2 [NP] Bow numbers shall be displayed from the time they are applied through the end of the event. It is the responsibility of the competitor to ensure that the bow numbers remain on the boat and obtain replacements as necessary.

17. OFFICIAL VESSELS

Official vessels are marked as follows:

Category	Flag
RC Vessels	Blue RC Flag
Coach and Support Vessels	Blue flag with black numbers

18. [DP] SUPPORT TEAMS

- 18.1 Only registered Support Person Vessels (SPVs), including coach, press, private and spectator vessels, that prominently display identification provided by the OA are allowed in the racing area (See [NoR 11.2 and 11.3](#)). The person in charge of the competing boat(s) to which support vessels are attached shall acknowledge the presence of a support vessel on his check-in form, and may pay the applicable fee on behalf of the support vessel.
- 18.2 All SPVs shall carry and monitor a VHF radio capable of communicating on VHF channel 68.
- 18.3 SPVs shall not enter the racing area from the preparatory signal of a race until the finish of the last boat in that race. However, SPVs may enter the racing area at the direction of the RC to assist a competitor or after a general recall, abandonment or postponement until a new preparatory signal has been made. The racing area shall be as indicated on SI Addendum A and include any other area within one hundred (100) meters of any boat still racing.
- 18.4 SPVs shall neither create wakes nor otherwise interfere with competitors.

19. TRASH DISPOSAL

Trash shall be placed in the appropriate containers when the boats return to shore.

20. RISK STATEMENT

Competitors participate in the event entirely at their own risk. See RRS 3, Decision to Race. By participating in the event, each competitor agrees to release the race organizers (organizing authority, host yacht club, race committee, protest committee, sponsors, and any others acting in an official capacity for the event) from any and all liability associated with such competitor's participation in the event to the fullest extent permitted by law.

21. RACE OFFICIALS

Event Chair: Rick Ruskin at (310) 990-6326 rickeruskin@outlook.com

Principal Race Officer: Mark Foster IRO USA at mfoster1053@gmail.com or 361.816.9801



J/70 Pre-World Championship

Saturday & Sunday, July 31 – August 1, 2021

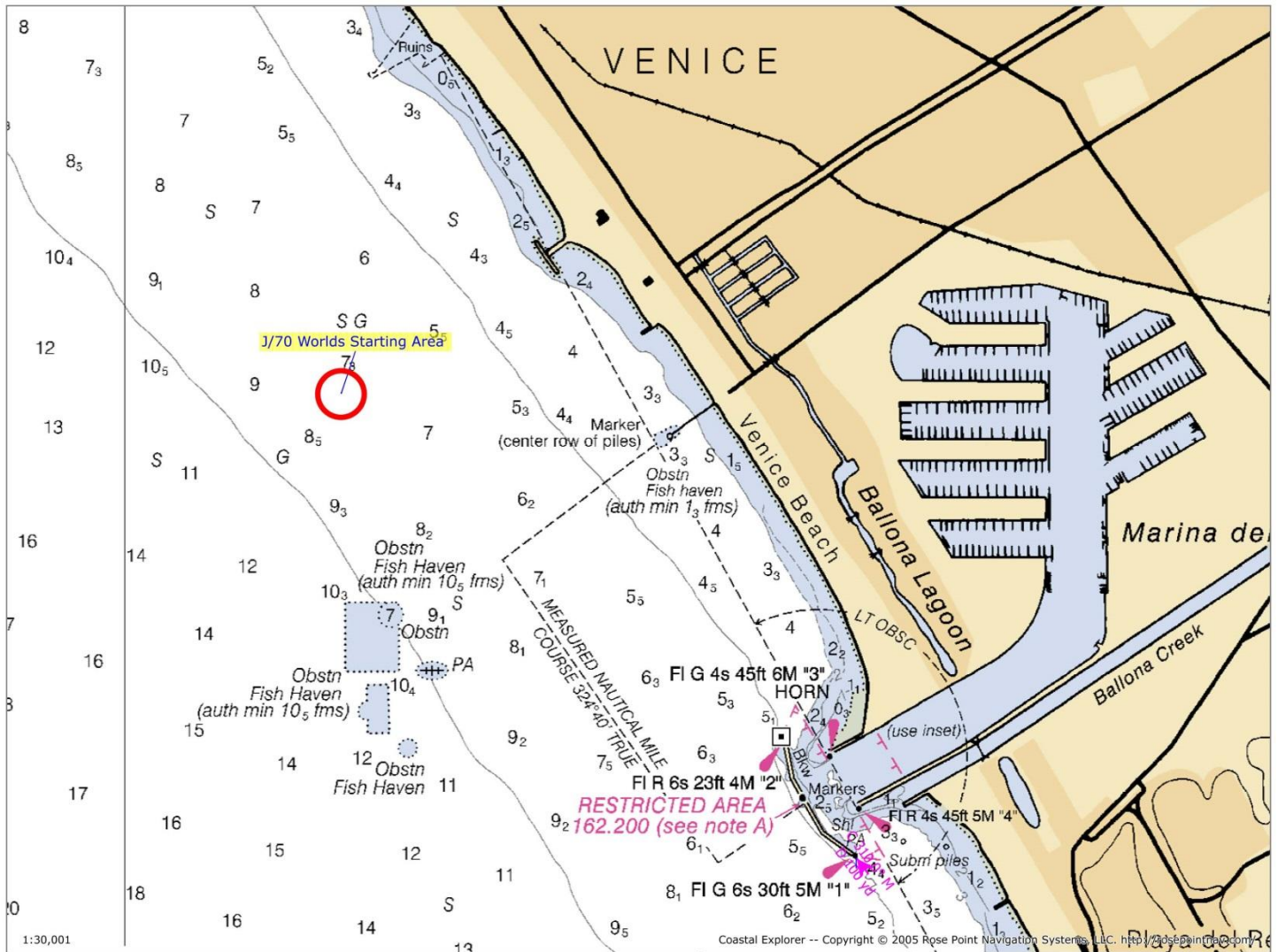
Marina del Rey, California USA



ADDENDUM A

RACING AREA

J/70 Pre-World Starting Area is the same as Worlds Starting Area





J/70 Pre-World Championship

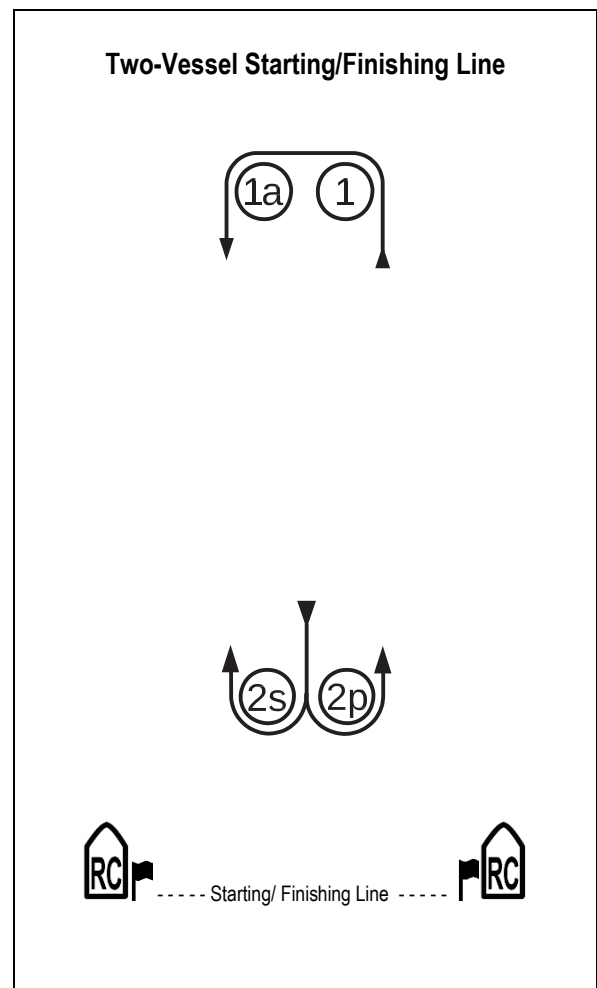
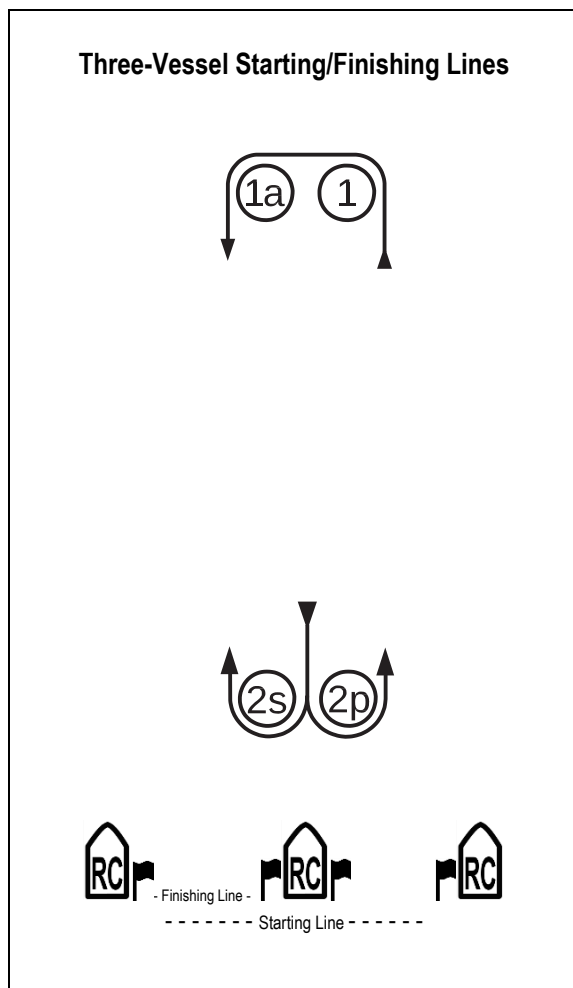
Saturday & Sunday, July 31 – August 1, 2021

Marina del Rey, California USA



ADDENDUM B

Course
Start – 1 – 1a – 2s/2p – 1 – 1a – Finish





J/70 Pre-World Championship

Saturday & Sunday, July 31 – August 1, 2021

Marina del Rey, California USA



SI ADDENDUM C

International J/70 Class Association Class Rules Part III - Event Rules

I.4 CORINTHIAN DIVISION

Regatta organizers will present awards for a Corinthian division. To be considered as a Corinthian team, Class Rule C.3 is modified so the entire crew, including the owner/driver, shall provide proof of a valid ISAF Group 1 classification at the time of registration. The Corinthian division shall be scored as a sub-division of the whole fleet using the competitor's actual scores.

I.5 ONE-PRO DIVISION

Regatta organizers will present awards for a One-Pro division. To be considered as a One-Pro team, Class Rule C.3 is modified so that the driver and all but one member of the crew shall provide proof of a valid World Sailing Group 1 categorization at the time of registration. The One-Pro division shall be scored as a sub-division of the whole fleet using the competitor's actual scores.



J/70 Pre-World Championship

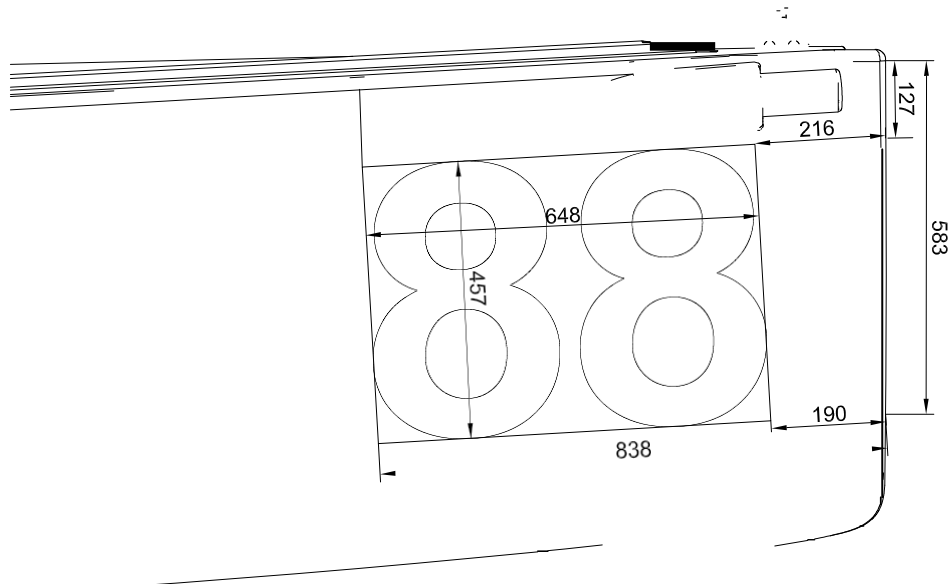
Saturday & Sunday, July 31 – August 1, 2021
Marina del Rey, California USA



SI ADDENDUM D

J/70 EQUIPMENT REGULATIONS Appendix A: Bow Number Positioning

Large number: 18" height



J/70 Class Bow Number Location & Size #2

(Dimensions in millimeters)